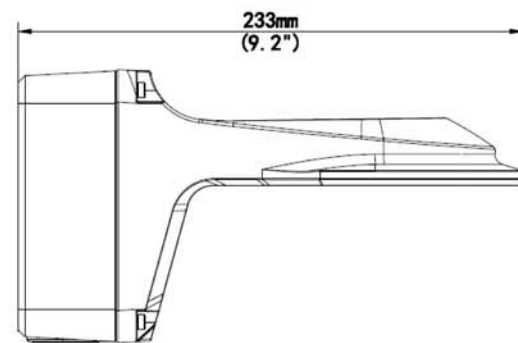
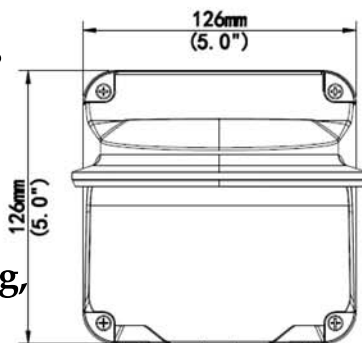


OCCULUS Wall Mount



Features

This Wall Mount for Oculus allows more severe viewing angles than regular wall mounting the dome camera. If your view needs to be almost straight down, or straight to the side, such as a Hallway mounting, then this mount is perfect.



Junction Box portion contains two down facing 3/4" Conduit threaded fittings, along with an access hole in the back for cable passage if needed.

Includes hardware to mount it to a wall (plus sheetrock inserts), and to mount the Oculus Moto-Dome to it.

Specifications

Bracket	
Application	Outdoor, wall installation for 3-inch fixed dome
Dimensions	233mmx126mmx126mm (9.2" x5" x5")
Weight	0.92kg(2.0lb)
Material	Aluminum alloy



We guarantee at least 820' for Power & Video

201 N. Elm St.
Kemp, TX 75143



866-264-0041
sales@envirocams.com

Not Your Father's IP Cameras