

## Long distance Laser Speed Dome

- ◆ 1/4" SONY EXVIEW HAD CCD
- ◆ 3.4mm ~ 122.4mm (36X)optical zoom
- ◆ DWDR, Day/Night(ICR), DNR (2D&3D),Auto iris, Auto focus, AWB, AGC,BLC
- ◆ Max 240°/s pan speed, 360° endless pan rotation
- ◆ Built-in 7/2 alarm in/out
- ◆ Support intelligent 3D positioning with DH-SD protocol
- ◆ Built-in radiating heater and Fans device
- ◆ With wipper function design
- ◆ Laser night vision Distance up to 250m



- ◆ All metal alloy Structure design, Easy for Installation and Maintenance
- ◆ Night-vision distance of Laser over 250M~300M
- ◆ Laser Light angle of view 0.5~43°, wavelength 808nm, light angle proportionable camera view .
- ◆ Pan:360°, Non-Limited Position,Pitching 105°(-90°~15°), Non Blind spots
- ◆ Humanize focus and speed proportion.
- ◆ 128 Presets (Titles can be set) , according to Preset run Tour, also can setting the preset's speed and stay time
- ◆ 8 programmable zones with titles, 4 PATTERN ), Each records time is not less then 180s
- ◆ 4 Scan, support scan between left and right limite at an appointed speed.
- ◆ Built-in OSD Menu, can change information and parameter of dome through menu, also can set and call presets, tour, scan, pattern, camera mode and display name etc.
- ◆ Park action function, can auto-call presets or start-up tour, pattern and scan after dome idle for a period of time
- ◆ 7 alarm input, 2 alarm output, support linkage. (To call preset pattern, scan, tour, display areas etc)
- ◆ Real time function, preset, scan etc action runs based on time sections pre-setting by OSD menu.
- ◆ Memory store function, built-in memorizer which can store parameters of camera & functions of PTZ.
- ◆ Temperature display function, can survey the temperature inside of dome.
- ◆ Fan enable function, through pre-setting the temperature to start-up the fan.
- ◆ Display function of Pan/tilt position and zoom, provide a port for motion-tracking and data processing
- ◆ Privacy masking Function
- ◆ Communication: RS485、Manchester、BI-PHASE、Coxial Video Control
- ◆ Support Built-in Protocol, Completely compatible PELCO-D、PELCO-P、KALATEL、AD、PHILIPS、MOLYNX and So
- ◆ IP66 All Day Cover, Built-in Constant temperature device.
- ◆ Built-in TV4000V Light-proof, Surge-Proof, Wave-Proof

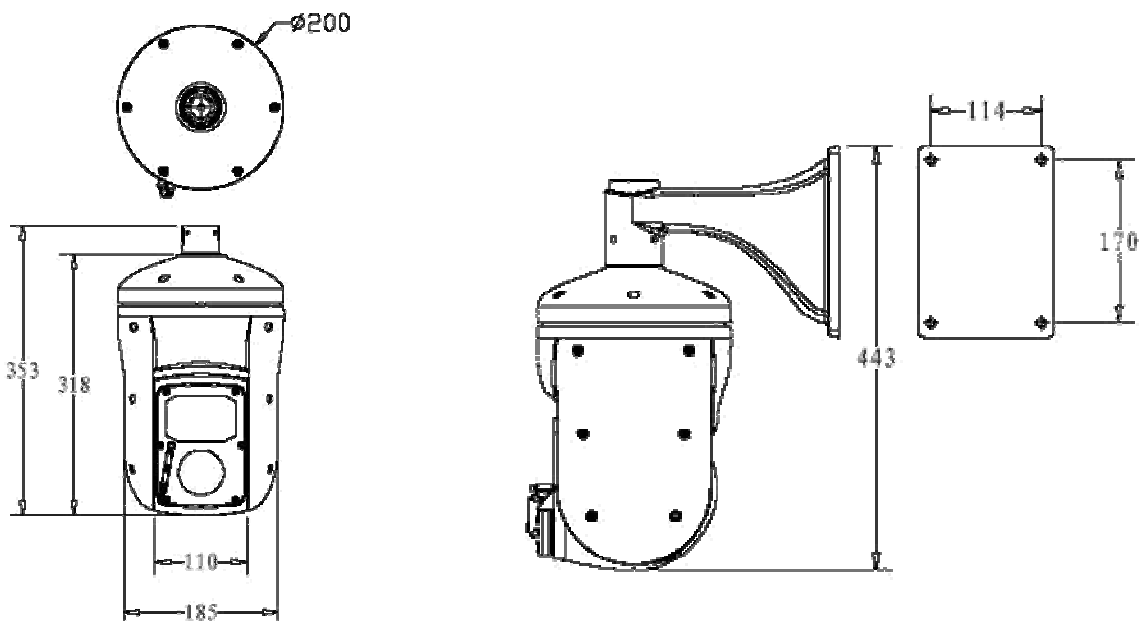
Specificatin	
Power Supply	AC 24V
Power consumption	50W
Surveillance Control	Munual Control/Time to start setting
IR Light Control	Manual/Auto (IR LED will be On/Off automatically according to the brightness)
Manual Speed	Pan: (0.4°~240°/s)
	Tilt: (0.4°~120°/s)
Preset Speed	Pan: 240°/s, Tilt: 120°/s
Rotation	Pan: 360° Continue rotation; Tilt: 105° (-90°~+15) ° With Auto-Flip
Focal length speed Auto Control	Control Speed according to the length of Focal Auto ajustment
Presets	128 presets Titles can be edited
Auto Flip	Tilt :90°, Pan:180°
1 / 3 Scan	355° (Optional Setting ), 4 Scans

Display Zone	8 Programmable Zones with Titles
Alarm Function	7 Alarm Input/ 2 Alarm Output
Decoder	Built-in
Video Output Interface	Female BNC
Remove Control	RS485/422 Bus、Manchester、BI-PHASE、Coaxial Video Control
Baud Rate(RS485)	2400 / 4800 / 9600/19200 bps
ID Range	1~254
Environment Temperature	-40℃~+60℃
Environment Humidity	0~95% (Non-Condensation)
Protection Grade	IP66, TV4000V Light-proof, Surge-Proof, Wave-Proof

### Zoom Camera Specification

Model No	FPS/FNS
Zoom Camera	SONY FCB-EX1010/1020
Image Element	1/4" SONY EXVIEW HAD CCD
Signal System	PAN / NTSC
Effective Pixel	752 X 582 (HXV)
Scanning system	2:1 Interlacing
Zoom	36X Optical Zoom 12X Digital Zoom
Resolution	Color 530TVL / B&W 570TVL
Angle of view	W57.8° / T1.7°
Focus Length	3.4mm ~ 122.4mm
Mini illumination	Color 0.7Lux, B&W 0.01Lux
Sync system	Internal
IRIS	Auto/ Manual
Focus	Auto/ Manual
White Balance	Auto/ Manual
S/N ratio	≥50db
Back light Compression	Auto / Manual ( R/B Gain adjustable)
Auto ICR	YES
Electronic Shutter Speed	1/1~1/10000s
Video Output	1.0±0.5Vp_p
Video Output	Female BNC Interface
Privacy Masking Zone	24
WDR	Yes

### Dimensions (mm)



**Accessories (Optional)**



**Corner Brackets**



**Pole Brackets**

**Applicable Case**

