

# Sentinel-IR-4K Quick Guide



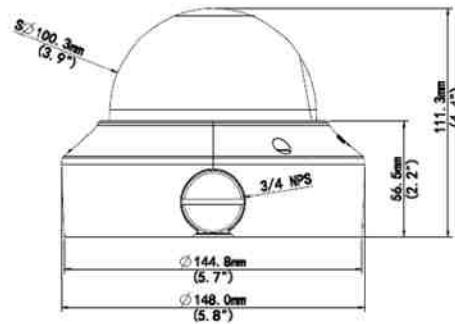
## Default IP, Username and Password

- Default IP address: 192.168.1.13 or 192.168.0.13 (vary with firmware version)
- Default username: admin
- Default password: 123456

The default password is used for your first login. To ensure account security, please change the password after your first login. You are recommended to set a strong password (no less than eight characters).

## Appearance

### Dimensions

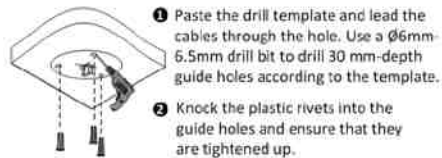


## Mount Your Camera

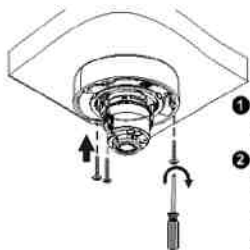
### Ceiling Mount

The following part takes ceiling mount as an example. Wall mount is similar to ceiling mount and therefore is omitted here. The figures are for your reference only.

1. Locate the holes, drill holes on the ceiling, and then mount the plastic rivets of self-tapping screws.

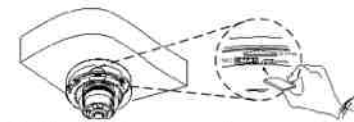


2. Mount your camera.



1. Connect all cables of the ceiling and your camera.
2. Lead self-tapping screws through the guide holes in the camera base, and fix your camera on the ceiling by using a screwdriver.

4. (Optional) Insert a SD card into the slot to use the local storage function. For detailed specifications of recommended SD cards, contact your dealer or technical support. Hot plugging is not recommended.



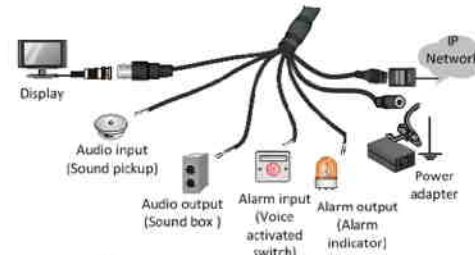
5. Mount the transparent dome cover.



Align the screw holes in the base, and tighten the three Torx screws on the edge of the transparent dome cover to fix it.

- The preceding installation process is concealed installation, during which holes are drilled in the ceiling and tail cable is led out from the top of your camera. Cables are connected and frapped at the ceiling side to prevent messy cables from affecting camera mounting. If open installation is adopted,

## Cable Connection



## Access Your Camera

Before you begin, check that:

- Your camera is operating properly and connected to the network.
- The PC you are using is installed with Internet Explorer 7.0 or later.

Follow these steps to access your camera through the Web interface:

1. Open your browser, input the IP address of your camera in the address bar and then press **Enter** to open the login page.
2. Enter the username and password and then click **Login**.

tail cable is led out from one side of your camera and can be routed from the side groove of your camera.

- If necessary, wire the tail cables through pipes (for example 3/4 NPS threaded pipes), and screw the pipes into the threaded hole of the device to complete the connection.
- After mounting the dome cover, check that the Torx screws on the edge of the dome cover are tightened up to ensure that your camera is properly sealed. For details, see Mount the transparent dome cover.

## Packing List

- Dome w/ Pigtail for IP and secondary 12V DC power input
- Extra waterproof connector
- Adhesive template
- Hardware Baggy - 3 screws and drywall anchors
- Quick Guide
- Coax Seal

## Waterproof Components for an RJ45 Plug



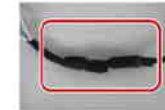
Attach the seal ring to the Ethernet interface. Mount the waterproof components in order. Then insert the cable into the Ethernet interface and screw the waterproof bolt in.

## Waterproof Tail Cable

Connect the tail cables and then take the following steps to protect the tail cables from water using waterproof tapes. The figures are for your reference only.



1. Connect the tail cables, and protect the cables and cable connections using insulating tapes. Then wrap all the tail cables together using insulating tapes.



2. Choose a start point for waterproof tapes and protect the tail cables using waterproof tapes.

You can crimp the inner wires of the cable with the RJ45 plug first and then cover the waterproof components. You may also cover the waterproof components first.

## Coax Seal Recommended

Part # - EC-IRD8-2812m  
3 year warranty

**ENVIRO**  
cams

866-264-0041  
sales@envirocams.com

201 N. Elm St.  
Kemp, TX 75143

*Not Your Father's IP Cameras*