



# RUGGED CAMS



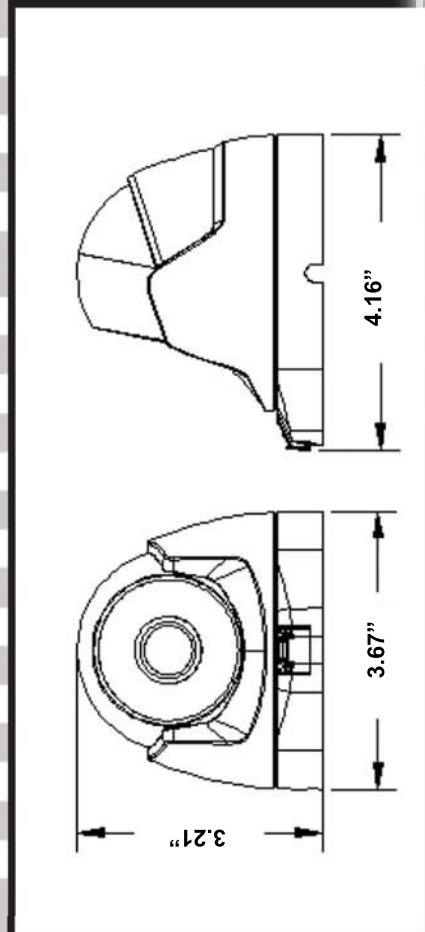
## PLATINUM SL2 4 IN 1 CAMERA

THE PLATINUM-SL2 MINI-DOME STARLIGHT CAMERA FROM IS A SMALL FORMAT, HIGH QUALITY, HIGH DEFINITION 4-IN-1 PROGRAMMABLE CHOICE CAMERA (CAN BE SET AS TVI/AHD/CVI/CVBS VIA MENU).

INITIALLY SET AS A TVI 1080P CAMERA, THE PLATINUM-SL2 IS EQUIPPED WITH A 2.8-8MM MOTORIZED LENS AND TWELVE 25 METER (82 FEET) INFRARED LED'S.

THIS CAMERA IS EQUIPPED WITH ADJUSTABLE TRUE WDR LIGHT CONTROL WHICH IS A PREMIUM FEATURE NOT FOUND ON LESSER CAMERAS. IP66 RATED FOR WEATHERPROOF INDOOR OR OUTDOOR USE. BUILT WITH SONY'S PREMIUM STARLIGHT IMX291 CMOS CHIPSET THAT DELIVERS TRUE COLORS AND BRIGHTER PICTURE UNDER EXTREME LOW LIGHT CONDITIONS.

Image Sensor	1/2.9" 2.0MP SONY Exmor CMOS
Effective Pixels	1945(H) × 1097 (V)
Resolution	" Digital:1920×1080p(1080p/30fps) Analog:700TVL"
S/N Ratio	≥50dB (AGC Off)
Min. Illumination	"COLOR: 0. 1Lux@(F2.0, AGC ON) B&W: 0.001Lux@(F2.0, AGC ON)"
Scanning System	Progressive
Video Output	"HD-Analog: HD-CVI (TVI AHD)(1080P . 720P) Analog: 1Vp-p Composite Output (75Ω/BNC)"
Day&Night	EXTERN,COLOR, B&W,AUTO
White Balance	Auto
OSD	English / Chinese
Defog	OFF/ON
WDR	OFF/LOW/MIDDLE/HIGH
Privacy Mask	ON/OFF (16 Areas)
Motion Detection	ON/OFF (4 Areas)
IR LED	12pcs High Power IR LED
Lens	2.8-8mm Auto Focus
IR Range	25m
Power Supply	DC12V±10%
Power Consumption	< 3.5W
Weight	310g
IP Rating	IP66
Storage Temperature	-20°C~60°C
Working Temperature/Humidity	-10°C ~60°C, Humidity 90% or less (non-condensing)



866-301-2288

www.ruggedcams.com