

RUGGED CAMS

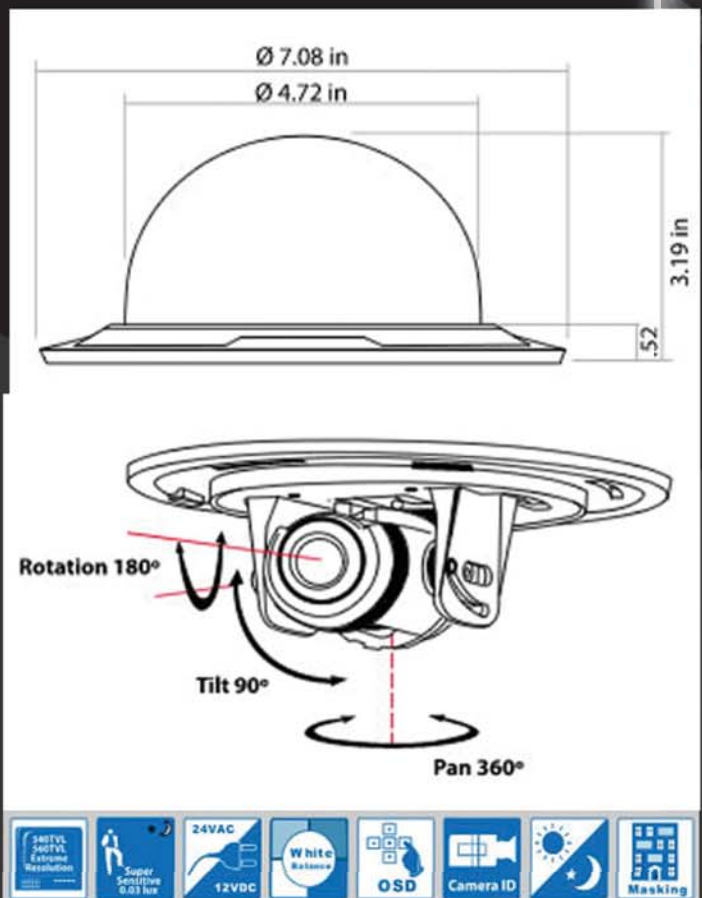
By Rugged CCTV



Low Pro₂ HD-TVI

The Low Pro2 HD-TVI Dome Camera is full 1080p 2.2Megapixel camera equipped with a 3.5 - 16mm motorized varifocal lens. It is dual voltage (12V DC/24V AC), 3-Axis mount to allow almost limitless aiming and the ability to change the viewed image with mirror and flip feature. Perfect for ceiling or wall mount applications.

Image Sensor	1/3" 2.1 Megapixel Sony CMOS
Resolution	1080p 1920 x 1080p / Analog 700 TVL
Total Pixels	2010(H) x 1092(V) = 2,227,080
Effective Pixels	1944 (H) x 1092(V) = 2,122,848
Shutter Speed	Auto / Manual (1/30(1/25) - 1/30000) / FLICKER
Min. Illumination	Color: 1.0 Lux / BW: 0.5 Lux Color DSS: 0.002 Lux / BW DSS: 0.001 Lux
S/N Ratio	More than 50db (AGC Off)
Sense Up	x2 / x4 / x8 / x16 / x32
Day & Night	Auto / Day / Night / Ext / Color
White Balance	Auto / Auto Ext / Preset / Manual
Mirror	Off / H / V / H&V
E. Zoom	x1 - x8
DNR	Off / Low / Middle / High
Privacy	Off/On
Motion	Off/On
Shading	0 - 100%
Defog	Off/On
WDR/BLC/HLC	Off / WDR / (Low / Middle / High) / BLC / HLC
System	NTSC / PAL
Operating Temp./Hum.	14°F - 122deg;F / 30% - 80% RH
Storage Temp./Hum.	-4°F - 140°F
Power	Dual Type (12V DC or 24V AC)
Power Consumption	Dual Type (DC: Max 2.8W - .250mA / AC Max. 4.5W - .188mA)
Lens	TDN ICR 3.5 - 16mm Megapixel VF Lens
Dimensions	7.08 Diameter (W) x 3.19(H)
Weight	14.11 Ounces



866-301-2288

www.ruggedcams.com

© Rugged Cams™ are manufactured by Rugged CCTV. All rights reserved.