



HD-TVI Megapixel

Low Pro2 Dome Camera



INSTRUCTION MANUAL

CONTENTS

WARNING & CAUTION	2
GENERAL FEATURES	4
NAME OF EACH PART	5
INSTALLATION	6
CONNECTION	10
SPECIFICATIONS	11
OSD MENU TREE	12
TROUBLESHOOTING	15
DIMENSIONS	16

WARNING & CAUTION

If you fail to read this information and handle the product incorrectly, death or serious injury may occur.

The unit should be installed by the trained Personnel.

Switch off immediately if the product emits smoke or abnormal heat.

Never install the product in area exposed to oil or gas.

Never touch the power cord with wet hands.

Clean only with dry cloth.

Ensure that the product is not subjected to strong impacts and vibration.



Never expose the camera to direct sunlight

WARNING

Never disassemble the unit by
unauthorized person.

Serious and Permanent
damage will occur.

WARNING & CAUTION

	CAUTION RISK OF ELECTRIC SHOCK DO NOT OPEN	
CAUTION: TO REDUCE THE RISK OF ELECTRIC SHOCK, DO NOT REMOVE COVER (OR BACK). NO USER SERVICEABLE PARTS INSIDE. REFER SERVICING TO QUALIFIED SERVICE PERSONNEL.		



This symbol is intended to alert the user to the presence of un-insulated "dangerous voltage" within the product's enclosure that may be of sufficient magnitude to constitute a risk of electric shock to persons.



This symbol is intended to alert the user to the presence of important operating and maintenance (servicing) instructions in the literature accompanying the appliance.

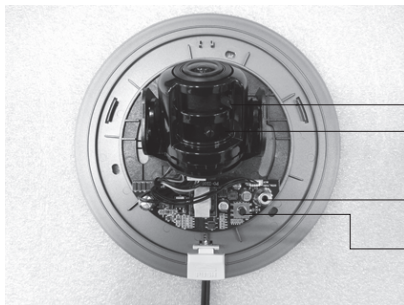
Contents in Box

- | | | | |
|----------------------------------|-----|---------------------|-----|
| 1. CAMERA ————— | 1EA | 6. TEMPLATE LABEL — | 1EA |
| 2. MANUAL ————— | 1EA | 7. ADAPTOR PLATE — | 1EA |
| 3. SCREW \varnothing 4x20 ——— | 3EA | 8. TERMINAL BLOCK — | 1EA |
| 4. SCREW M4x20 ——— | 2EA | | |
| 5. CALBLOCK \varnothing 6x30 — | 3EA | | |

GENERAL FEATURES

- * Advanced RGB Interpolator for High Resolution
- * Double shutter Wide Dynamic Range compensation (WDR)
- * Adaptive Digital Noise Reducer (2D/3D)
- * Adaptive Contrast Enhancer (ACE)
- * Optical detector (AE, AWB)
- * Edge enhancement
- * Gamma Correction
- * Hue Controller
- * Pseudo Color Suppression
- * High Light Masking
- * Flip / Mirror / Still
- * Privacy Masking (8ea)
- * OSD Support
- * Motion Object Detector
- * De-fog

NAME OF EACH PART



Focus lever

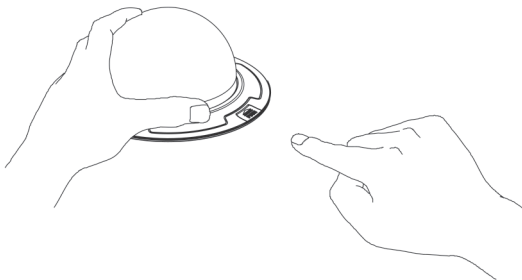
Zoom lever

Extra video output

OSD Control

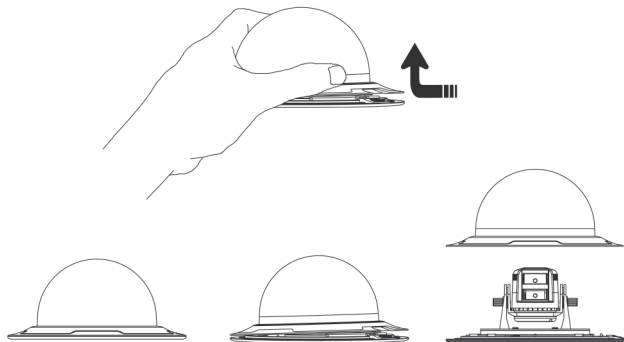
INSTALLATION

1. Opening the dome



Push the Push Button forward on the Dome Cover.
(Take off a transparent vinyl on dome curvature when installation)

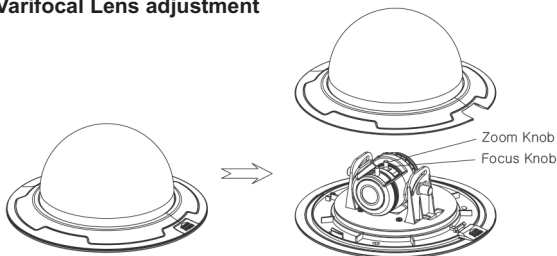
2. Removing the dome



If push the Push Button forward, backward lock is unfastened.
In order to unfasten forward lock on the Push Button, grasp dome curvature with a hand and take off dome curvature and cover by pulling out backward and upward.

INSTALLATION

3. Varifocal Lens adjustment



- ① Open dome curvature and cover as 1 & 2.
- ② Unfasten Tilt Locking Lever by turning counter clockwise and adjust Camera Set to wanted location. And then, fasten Tilt Locking Lever tightly by turning clockwise.
- ③ Adjust focus by using Tele-Wide & Near-Far Knob.
- ④ Zoom
 - Unlock the zoom lever by turning counter clockwise.
 - Move the lever to adjust the zoom.
 - Lock the lever by turning clockwise.
- ⑤ Focus
 - Unlock the focus lever by turning counter clockwise.
 - Move the lever to adjust the focus.
 - Lock the lever by turning clockwise.

4. Tool-free 3-Axis mounting mechanism

Perfect Tri-axis

- Panning axis up to 360° degree
- Tilting axis up to 90° degree
- Rotation axis up to 180° degree

a. Panning 360°

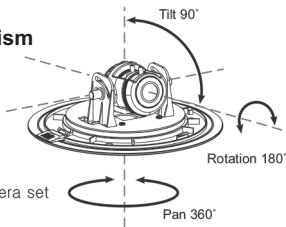
Pan Camera Set by turning post which is a camera set holder.

b. Tilting 90°

Tilt Camera Set by turning Tilt locking lever counter clockwise and fastening the locking lever clockwise.

c. Rotation 180°

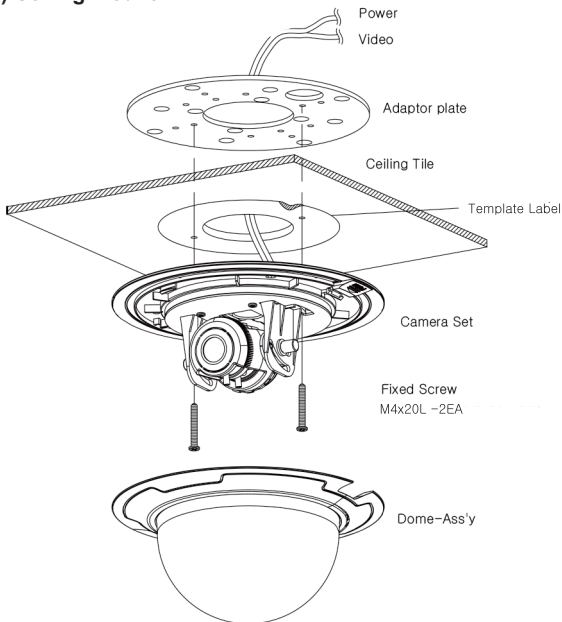
Rotate Camera set by grasping and turning the serration in the front of the camera set.



INSTALLATION

5. Installation

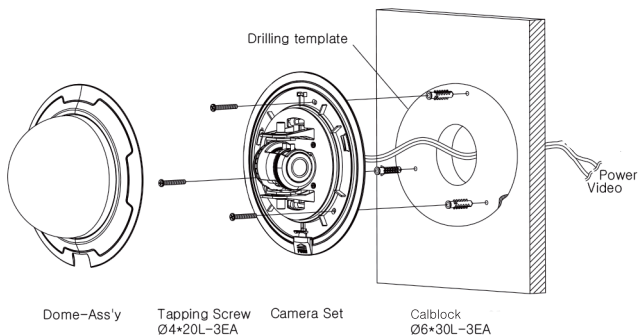
(1) Ceiling mount



- ① Drill holes on the ceiling after doing paste a drilling template to wanted spot.
- ② Put Fixed Screws supplied in the screw hole on the Dome Base and penetrate drilling holes on the Ceiling Tile. And then, assemble them to the holes on the Adaptor Plate.
- ③ After fixing the location of the Camera Set, push the Dome Ass'y(Dome Curvature and Cover) to the Dome Base.

INSTALLATION

(1) Wall or Slope mount

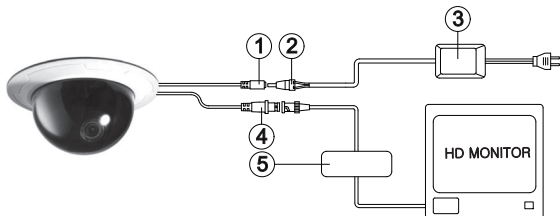


- ① Drill holes on the wall or slope after doing paste a drilling template to wanted spot.
- ② Fix Plastic Anchors on the holes.
- ③ Fix the Dome Base to the wall or slope by using Tapping Screws supplied.
- ④ After fixing the location of the Camera Set, push the Dome Ass'y(Dome Curvature and Cover) to the Dome Base.

CONNECTION

DUAL POWER TYPE

*A power source connection is nonpolar.

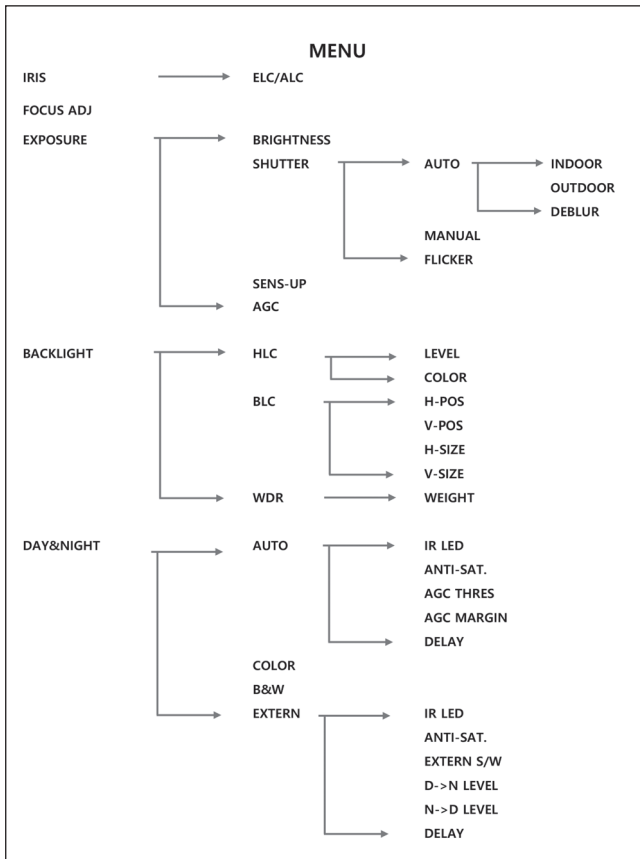


1. Power Input
2. Terminal Block
3. Adaptor (DC12V or AC24V)
4. Video Output (TVI)
5. TVI Receiver or TVI DVR

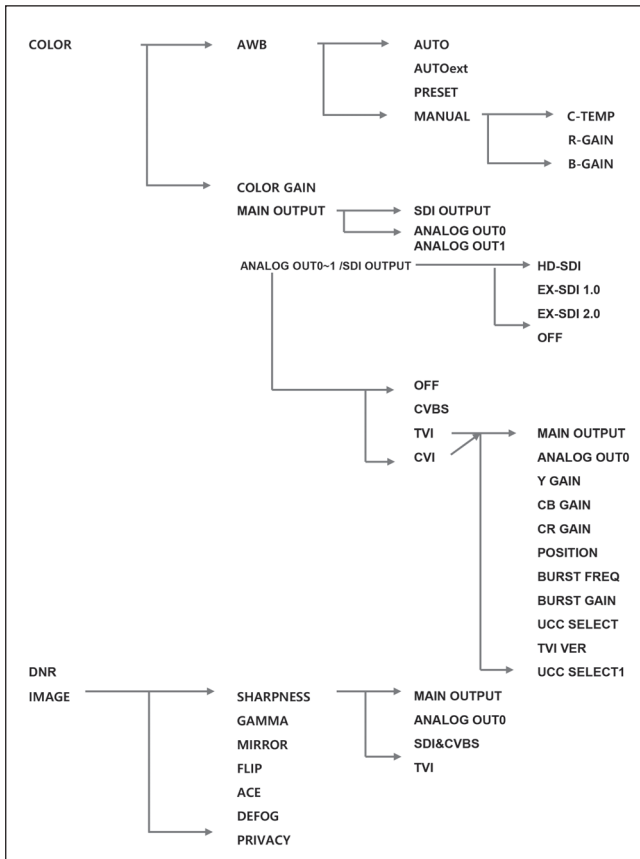
SPECIFICATIONS

Image Device	1/3" 2.1 Mega pixel SONY CMOS (Progressive)
Resolution	Digital : 1920 x 1080p / Analog : 700TVL
Total Pixels	2010(H) x 1108(V) = 2,227,080(pixel)
Effective Pixels	1944(H) x 1092(V) = 2,122,848(pixel)
Shutter Speed	Auto / Manual (1/30(1/25) ~ 1/30000) / FLICKER
Min. Illumination	Color : 1.0 Lux / BW : 0.5 Lux Color DSS : 0.002 Lux / BW DSS : 0.001 Lux
S/N Ratio	More Than 50dB (AGC Off)
Sense Up	x2 / x4 / x8 / x16 / x32
Day & Night	Auto / Day / Night / Ext / Color
White Balance	Auto / Auto Ext / Preset / Manual
Mirror	Off / H / V / H&V
E. Zoom	x1 ~ x8
DNR	Off / Low / Middle / High
Privacy	Off / On
Motion	Off / On
Shading	0 ~ 100%
Defog	Off / On
WDR/BLC/HLC	Off / WDR (Low / Middle / High) / BLC / HLC
System	NTSC / PAL
Operating TEMP./HUM.	-10°C~+50°C / 30%~80% RH
Storage TEMP./HUM.	-20°C~+60°C / 20%~90% RH
Power	Dual type (DC 12V, AC 24V)
Power Consumption	Dual type (DC:Max. 2.8W, AC:Max. 4.5W)
Lens	TDN ICR 3.5~16mm Megapixel VF Lens
Dimension	∅ 180mm(W) x 81mm(H)
Weight	400g

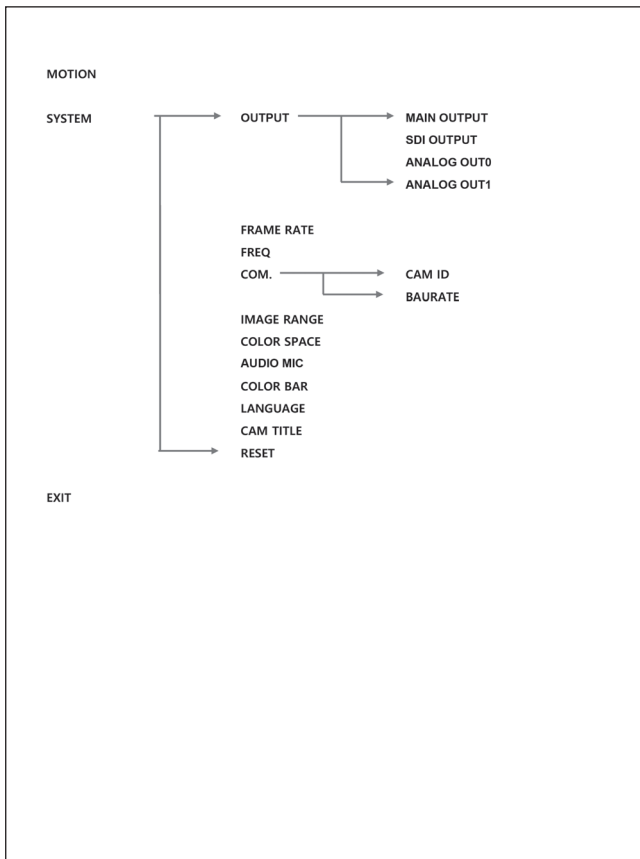
OSD MENU TREE



OSD MENU TREE



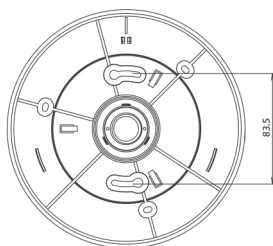
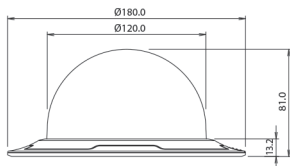
OSD MENU TREE



TROUBLESHOOTING

PROBLEM	SOLUTION
No picture	Check if the power cable is connected properly. Check if the video cable is connected correctly.
Camera with excessive heat, Abnormal motion or Black lines on the screen.	Check if the power supply meets the minimum requirements and that the power supply is functioning properly.
Blinking Screen	Check if the Camera faces the Sun or fluorescent lamp. Check if the Auto Iris Lens connector is connected properly.
Unclear Screen	Check if the Lens is dirty. If necessary, clean the lens with a soft cloth or lens brush. Check the camera positioning and setting. Adjust the camera position if too much light is entering the iris. Check the Back-Focus Setting.
No operation of Color Auto mode	Check if you set 'Color' mode 'EXT/ON/OFF' Check if you set 'Gain' mode off.
No operation of Motion Detection	Check if 'Motion Detection' mode is on Check if the 'MD Level' is set too low. Check if the 'MD Area' is set properly.
Inaccurate Color	Insure that 'White Balance' is set properly.

DIMENSIONS



UNITS:mm

