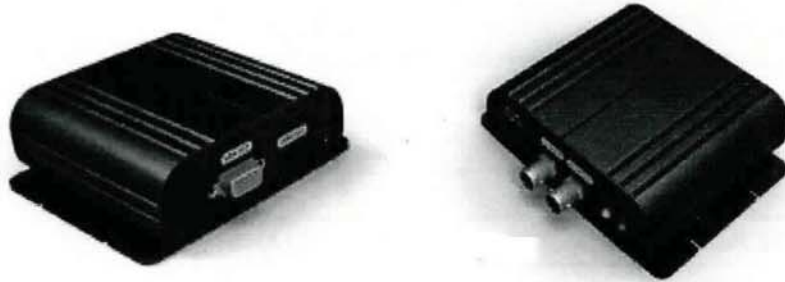


USER GUIDE FOR RC-511

1. FEATURE

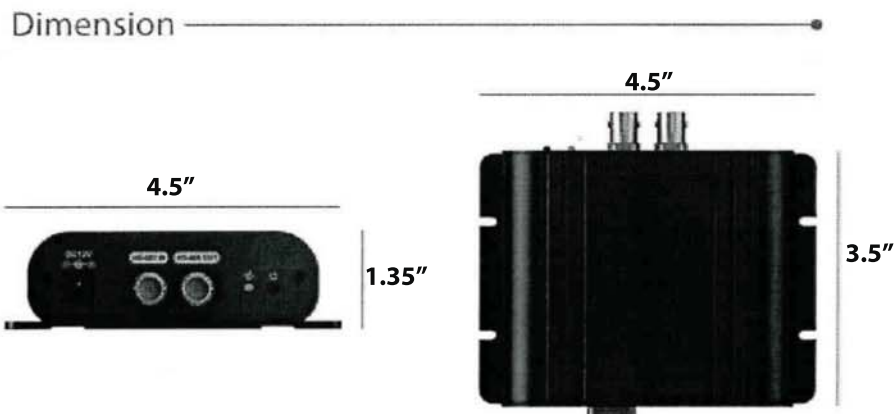


- a) HD-SDI SMPTE 292M STANDARD INPUT PORT & 3 OUTPUT PORTS (HDMI, VGA & HD-SDI LOOP OUT)
- b) SUPPORT FORMAT : HDMI & VGA : 1080p 60
- c) 75Ω IMPEDANCE INPUT&OUTPUT (ERROR RANGE: ±1%)

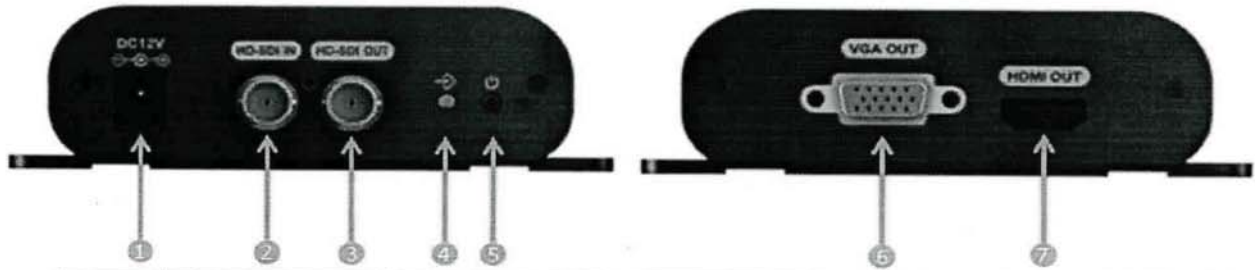
2. SPECIFICATION

SYSTEM	HD-SDI TO HDMI Converter
VIDEO INPUT	1 HD-SDI BNC Input (SMPTE 292M)
INPUT FORMAT	1080p 24/25/30/50/60
	1080i 50/60
	720p 24/25/30/50/60
VIDEO OUTPUT	HDMI with Embedded Audio VGA Output HD-SDI Loop Output
OUTPUT FORMAT	HDMI & VGA : 1080p 60
	HD-SDI Loop Out : Same As Input Format
CONSUMPTION	Free Voltage 12VDC, 1A
DIMENSION	114 x 34.5 x 89.6
HDMI Connector	HDMI Female
VGA Connector	D-SUB 15P Female
HD-SDI Connector	BNC Female

3. APPEARANCE



4. NAME AND FEATURE



	NAME	FEATURE
1	DC-IN Power	DC 12V, 1A
2	HD-SDI IN	HD-SDI VIDEO CAMERA INPUT
3	HD-SDI OUT	HD-SDI VIDEO OUTPUT
4	ACTIVE LED	GREEN LED IS ON FOR VIDEO INPUT
5	POWER LED	LED SHOWING POWER ON/OFF
6	VGA OUT	VGA OUTPUT CONNECTION
7	HDMI OUT	HDMI OUTPUT CONNECTION

5. APPLICATION

HD-SDI CAMERA

