

RUGGED CAMS

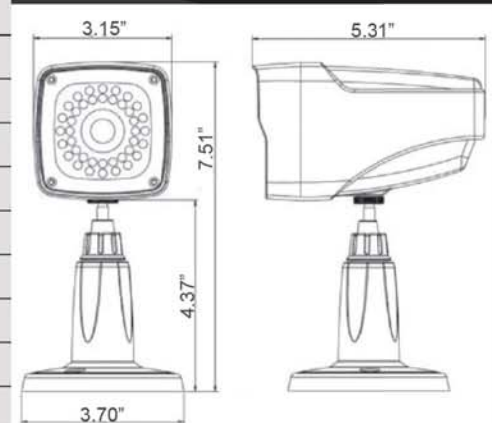
By Rugged CCTV



Image sensor	1/3" Sony 960H Ex-view HAD CCD II
Effective Pixels	NTSC : 976(H) x 494(V), PAL : 976(H) x 582(V)
H. Resolution	650TV Lines(Color)/ 700TV Lines(B/W)
Synchronizing system	Internal
Scanning system	NTSC : 525 Lines PAL : 625 Lines 2:1 Interlaced
Video output	1.0Vp-p Composite 75 Ohms
S/N ratio	More than 52dB (AGC Off)
Min. Illumination	0Lux
Shutter Speed	NTSC:1/60~1/100,000 sec. PAL:1/50~1/100,000 sec.
Gamma Correction	Standard $\gamma = 0.45$
White Balance	1,800 K ~ 10,500 K Auto (ATW/ Push/ Push lock/ User 1/2, Anti CR, Manual)
Gain Control	Standard : -6dB ~ 44.8dB Auto
Smear Effect	0.005%
Power source	12VDC
Operating current	120mA(IR Off), 620mA(IR On)
Lens(Standard)	3.6mm lens
Lens(Optional)	2.9mm/ 4.3mm/ 6mm/ 8mm Fixed Iris lens
LED Spectrum	850nm
Viewable Distance	Up to 30M at Moonless Night
MTBF of IR	20,000 hours
Iris Control	Electronic
Operating temp./Humidity	-10°C ~ 50°C (Humidity : 0% RH ~ 90% RH)
IP Rating	67
Measurement (mm)	80(W) x 80(V) x 135(L)
Weight (Approx. g)	960

FUNCTION

Shutter/ AGC	Auto/Manual
White Balance	ATW / Push /Push Lock / User 1, 2/ Anti CR/ Manual
Picture Adjust	Mirror(On/Off), Brightness, Contrast, Sharpness, HUE, Gain
NR	NR Mode/ Y Level/ C Level
Camera ID	On/ Off
Language	English/ Germany/ French/ Russian/ Spanish/ Portuguese, Japanese



© Rugged Cams™ are manufactured by Rugged CCTV. All rights reserved.

866-301-2288

www.ruggedcams.com