

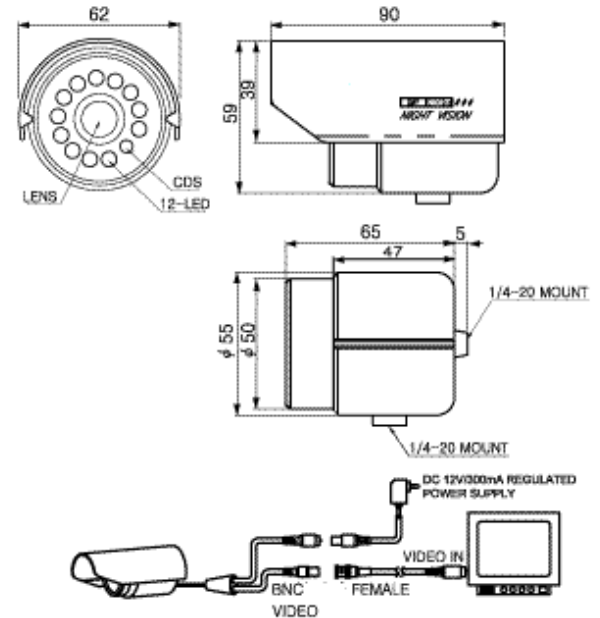
INDOOR/OUTDOOR DAY/NIGHT INFRARED CAMERA



Waterproof / Weatherproof
No Infrared Focus Shift
(New Improved Cut Filter)
1/3" SONY Super HAD
12 Infrared LED's
(with built-in darkness sensor)
Up to 30' IR Distance
IR Wavelength : 850nm

380 Lines of Resolution
Dimensions: 2-1/8" wide x 3-1/2" long
(with moveable Sunshield)

Model Name	RDNI-B3.7... 3.7 mm lens RDNI-B6 6 mm lens RDNI-B8 8 mm lens RDNI-B12 12mm lens
Image Device	SONY 1/3 " SUPER HAD CCD
Scanning System	2:1 Interlace
Total Pixels No.	NTSC (EIA) :537(H) x 505(V) 270K PAL(CCIR) : 537(H) x 597(V) 320K
Effective Pixels No.	NTSC (EIA) :510(H) x 492(V) 250K PAL(CCIR) : 500(H) x 582(V) 270K
S/N Ratio	More than 48dB
Sync. System	Internal
H. Resolution	More than 380 TV Lines
Sensitivity	0 Lux (IR LED ON)
Gamma Correction	0.45
IR LED	12 Units
IR LED Wavelength	850 nm
IR LED Half Angle	+ or - 10 degree
IR LED Beam Length	10m
CDS Sensor	On/Off detection range of Automatic CDS sensor Minimum 10Lux (Average : 15 Lux)
White Balance	Automatic (2,400 K - 8,000 K)
Video Output	Composite 1[Vp-p]75 ohm unbalanced
Electronic Shutter	EIA/NTSC : 1/60 - 1/100,000sec Auto , CCIR/ PAL : 1/50 - 1/100,000sec Auto
Current Consumption	250mA or less
Power Supply	DC12V (±10%)
Operating Temperature	-10°C to +50°C
Application	Outdoor / Waterproof
Dimensions	55mm x 90mm (With Sunshield)
Lens Options	3.7mm / 6mm / 8mm / 12mm lenses



Rugged CCTV

5327 Cedar Creek Drive
 Kemp, Texas 75143

Toll Free: 1-866-301-CCTV
 Phone: 903-498-3240
 Fax: 903-498-8989



Website: www.rugged-cctv.com
 email: techsupport@rugged-cctv.com