

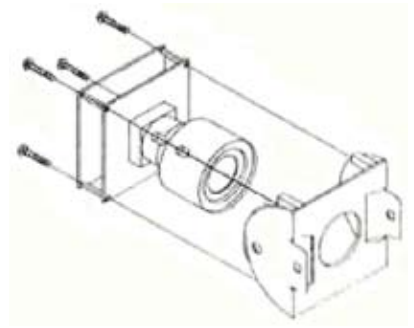
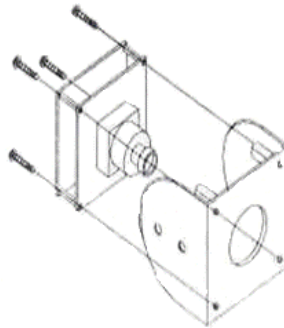
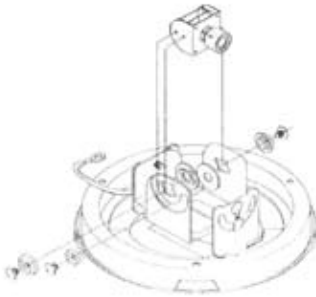
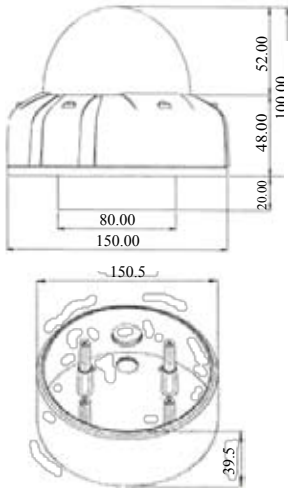
# EPP DOMES

*Day / Night*

Brilliant Color -  
then Black & White  
under Low Light



Model	BPDN
Image Device	HIGH RES. SONY 1/3' SUPER HAD CCD
Total Pixels	NTSC / 811(H) x 508(V), PAL / 795(H) x 596(V)
Effective Pixels	NTSC / 768(H) x 494(V), PAL / 752(H) x 582(V)
Horizontal Resolution	550 TV lines
Low Lux Sensitivity	0.5Lux
S/N Ratio	More than 45dB(AGC off)
Gamma Correction	$\gamma=0.45$
Electronic Shutter	NTSC/1/60 ~1/100,000sec Auto
Weatherproof	IP66
Operating Temperature	-10°C ~ +45°C
Storage Temperature	-30°C ~ +60°C
Gain Control	Automatic (0-26dB)
White Balance	Automatic (2,100°K ~ 8,000°K)
Mount	Ceiling Mount Kit Included
Power Options	DC12V (optional 24V AC)
Lens Options	2.8-11mm varifocal auto-iris, (fixed lens option)



201 North Elm Street  
Kemp, Texas 75143  
Toll Free: 1-866-301-CCTV  
Phone: 903-498-3240  
Fax: 903-498-8989



Website: [www.rugged-cctv.com](http://www.rugged-cctv.com)  
E-mail: [techsupport@rugged-cctv.com](mailto:techsupport@rugged-cctv.com)